



DOUBLE ARTICULATED CURRENT COLLECTOR FOR TROLLEYBUSES

Up to
600 A

CONTINUOUS CURRENT
FOR 10 MINUTES

KUCO 200/600



Thanks to their double articulation, the two KUCO current collectors (200/600) with the dependable SWISS MADE label feature maximum (ground) isolation of the trolley poles. This results in significantly less wear and fewer dewirements as compared to conventional current collectors because the centrifugal forces are substantially reduced. In addition, the KUCO current collectors feature a unique foldaway and safety mechanism that reliably

prevents damage to the contact line in the event of a dewirement. On the basis of the KUCO 200 current collector (double-articulated current collector, article no. B1426/B1526), Kummler+Matter has now introduced a more advanced version for high continuous currents of up to 600 A. The newly developed KUCO 600 current collector for high continuous currents allows longer intervals between two charging processes, and charging times are consider-

ably reduced. At the same time, the carbon inserts in the KUCO 600 current collector for high continuous currents are 30 mm longer. This increases their lifetime by 25%, and intervals between replacements are also extended. The flanks of the carbon inserts are 3 mm higher, leading to reduced wear on the sliding shoe – and also on the contact wire because it is guided reliably in the carbon insert.



Kummler+Matter

KUCO CURRENT COLLECTOR 200

Article no. B1426-01 – For trolley poles with Ø25 mm connection

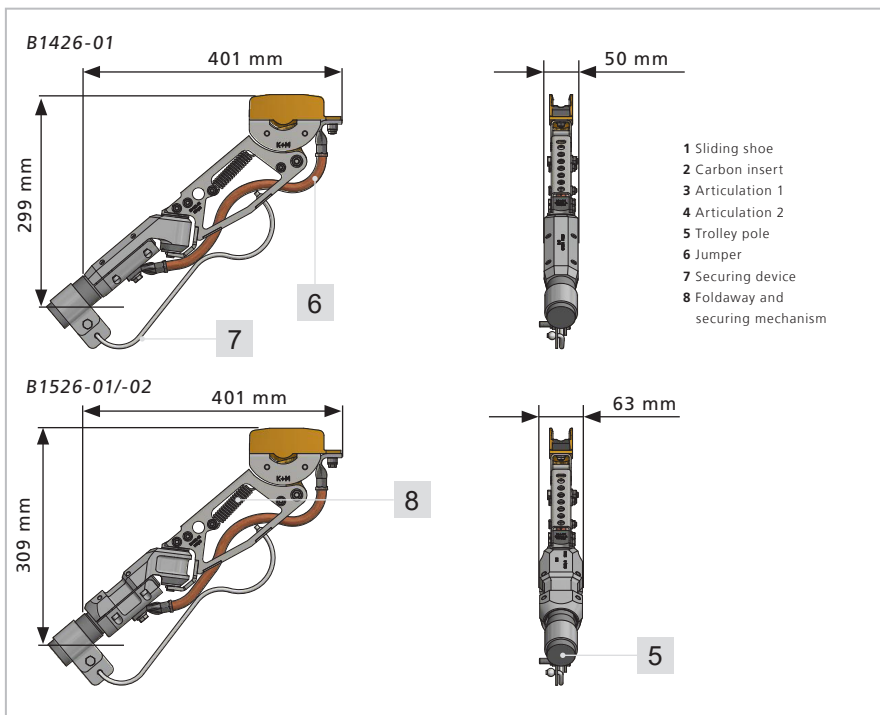
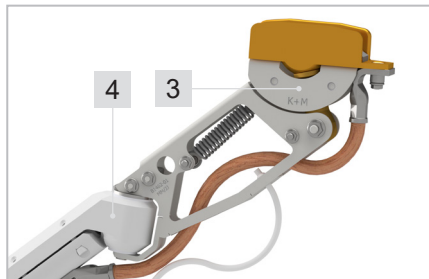
Article no. B1526-01/-02 – For trolley poles with Ø38 mm connection

FOLDAWAY AND SECURING MECHANISM

Damage to the contact line is effectively prevented by the securing and foldaway mechanism. If the sliding shoe becomes caught on the contact wire after a dewirement, it folds away backwards and releases the contact wire. This function is also performed for cross-spans and other contact line components.

LESS WEAR THANKS TO DOUBLE ARTICULATION

Maximum ground isolation of the trolley pole is ensured thanks to the two articulations in the current collector. This results in significantly less wear and fewer dewirements as compared to conventional current collectors because the centrifugal forces are substantially reduced.



YOUR BENEFITS AT A GLANCE

- ✓ Foldaway and securing mechanism to protect against damage in case of dewirement
- ✓ Significantly reduced wear thanks to two integrated articulations

- ✓ Two versions: for Ø25 mm and Ø38 mm trolley poles
- ✓ Highly flexible silicone-overmoulded jumper with pressed-on solderless cable lugs

SPECIFICATIONS

- ✓ Weight: 2.8 kg (B1426-01)
2.9 kg (B1526-01/-02)
- ✓ Max. continuous current, unlimited: 200 A
- ✓ Max. permitted operating temperature: 100°C
- ✓ Maximum deflection of the sliding shoe: ± 180°
- ✓ Release force for foldaway and securing mechanism: approx. 500 N
- ✓ Max. contact pressure: 120 N
- ✓ The current collectors are supplied without the carbon insert!
- ✓ Jumper: 35 mm²
Material: Cu
- ✓ We recommend use on bent trolley poles.
The user must check compatibility with the armatures in the overhead contact system in combination with the respective vehicles.

KUCO CURRENT COLLECTOR 600 FOR HIGH CONTINUOUS CURRENTS

Article no. B1592-01 – For trolley poles with Ø25 mm connection

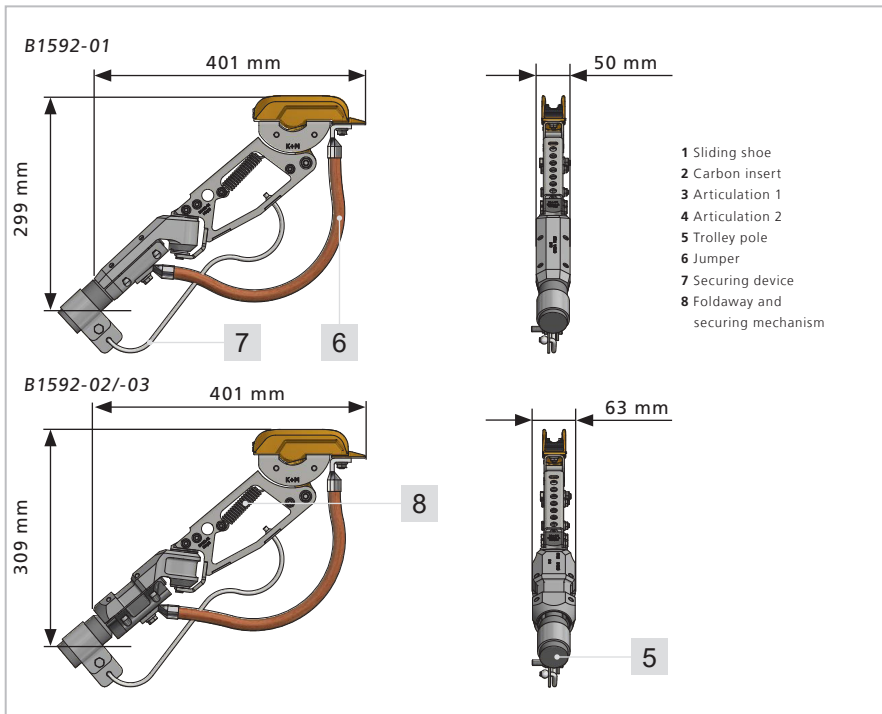
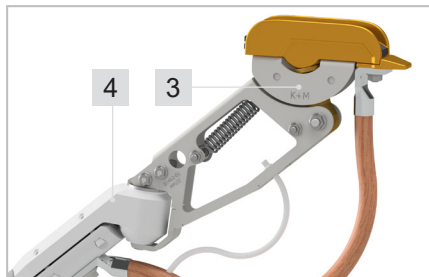
Article no. B1592-02/-03 – For trolley poles with Ø38 mm connection

LESS WEAR AND FOLDAWAY / SECURING MECHANISM

Like the KUCO 200, the KUCO 600 reduces dewirements and wear on the sliding shoe and contact wire because the trolley poles are ground-isolated by two articulations; defects on the current collector or the contact line system are effectively prevented by the foldaway and securing mechanism.

HIGH STABILITY UNDER CONTINUOUS CURRENT ALLOWS FAST CHARGING

Thanks to the extended contact area on the contact wire, the optimised contact area on the jumper and the new type of power connection, the KUCO 600 current collector can ensure continuous current of 600 A for ten minutes during travel. This means that efficient charging via the current collector is now a reality.



YOUR BENEFITS AT A GLANCE

- ✓ 600 A continuous current during travel, for ten minutes
- ✓ Significantly reduced wear thanks to two integrated articulations

- ✓ Two versions: for Ø25 mm and Ø38 mm trolley poles
- ✓ Contact wire is guided ideally thanks to the high flanks of the carbon inserts
- ✓ Foldaway and securing mechanism to prevent damage to the contact line

SPECIFICATIONS

- ✓ Weight: 3.2 kg (B1592-01)
3.3 kg (B1592-02/-03)
- ✓ Max. continuous current, unlimited: 400 A
- ✓ Max. continuous current, limited: 600 A for 10 minutes
- ✓ Max. permitted operating temperature: 100°C
- ✓ Maximum deflection of the sliding shoe: ± 180°
- ✓ Release force for foldaway and securing mechanism: approx. 500 N
- ✓ Max. contact pressure: 120 N
- ✓ The current collectors are supplied without the carbon insert!
- ✓ Jumper: 70 mm²
Material: Cu
- ✓ We recommend use on bent trolley poles.
The user must check compatibility with the armatures in the overhead contact system in combination with the respective vehicles.

Kummler+Matter Ltd.
Rietstrasse 14
8108 Dällikon
Switzerland

+41 44 247 47 47
info@kummlermatter.ch
kummlermatter.ch



FOR YOUR OVERHEAD CONTACT LINES